

# Specifications\*

# PUMA 42 GTX



## PERFORMANCE

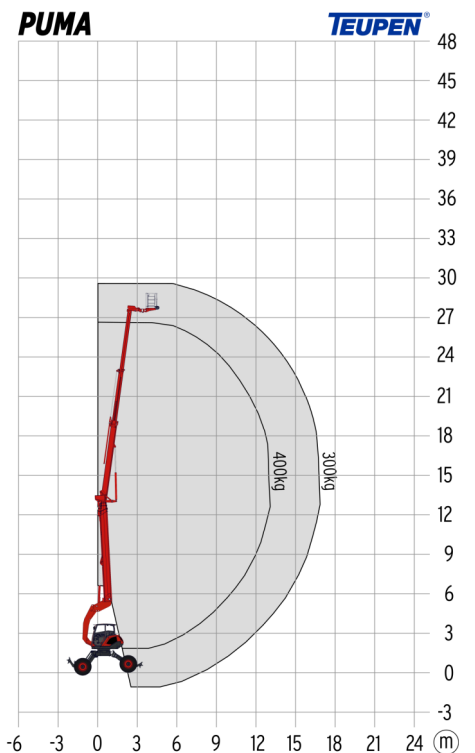
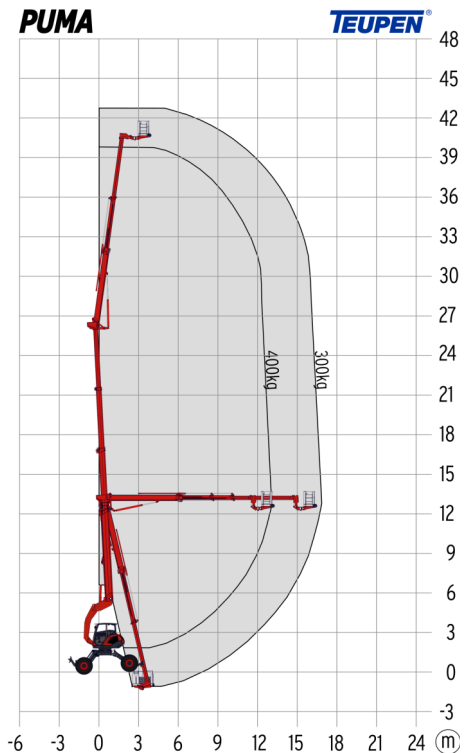
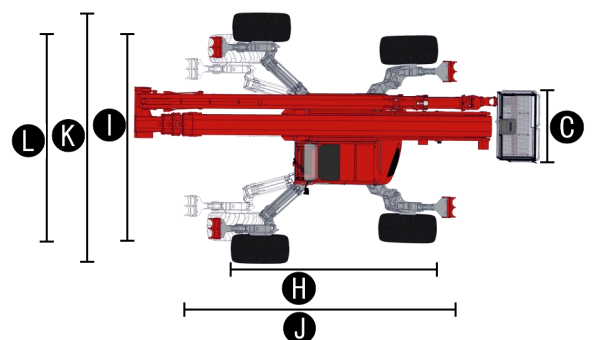
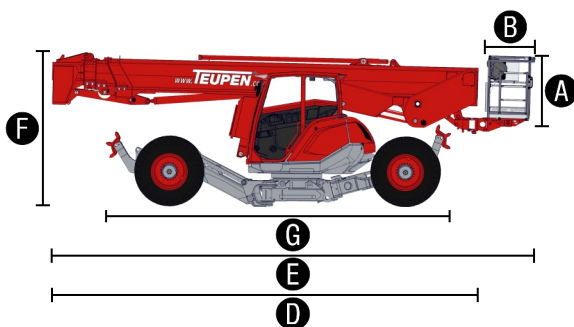
	Work Platform	Boomlift
Working height, max.	42,70 m	29,60 m
Working height with 400 kg	39,70 m	26,60 m
Horizontal outreach with 300 kg	16,70 m	16,70 m
Horizontal outreach with 400 kg	13,00 m	13,00 m
Up-and-over clearance, max.	24,90 m	11,80 m
Basket capacity	400 kg	
Basket rotation	180°	
Turret rotation	continuously	
To be jacked up on ground slope of	18,0°/32,5 %	
Height and width track adjustment	1,35 m/3,71 m	
Gradeability, max.	45,0°/100,0 %	
Slope angle	35,0°/70,0 %	
Travel speed (cabin)	10,0 km/h	
Travel speed (basket)	6,0 km/h	

## MEASUREMENTS

Platform height (A)	1,10 m
Platform length (B)	0,80 m
Platform width (C)	1,50 m
Length, without platform (D)	8,40 m
Length, overall (E)	9,20 m
Height, travelling position (F)	2,98 m
Width, min.	2,48 m
Ground clearance, max.	1,35 m
Length chassis (G)	6,19 m
Length outrigger footprint min. (H)	4,70 m
Width outrigger footprint min. (I)	4,60 m
Length outrigger footprint max. (J)	5,20 m
Width outrigger footprint front min. (K)	6,14 m
Width outrigger footprint back max. (L)	4,69 m
Wheels Ø	1,35 m

## WEIGHT & POWER

Total weight	17600 kg
Standard power source (combustion engine)	<b>Diesel:</b> Deutz-Power (115 kW/157 hp; emission stage 3b)
Fuel tank capacity (Diesel engine)	205 l + 230 l reserve



\*preliminary - alterations and mistakes reserved.

# Features\*

# PUMA 42 GTX

**TEUPEN**<sup>®</sup>  
...access redefined

## CHASSIS

- Hydrostatic all wheel drive over four big wheels
- Sensor steered all wheel drive
- Foam filled cut protected tires
- Precise maneuvering over sensitive electrohydraulic control

## STABILISATION

- Fully-hydraulic, automatic leveling system with outrigger setup monitoring
- P-Matik parallel-stabilization

## BOOM SYSTEM

- Telescoping upper- and lower boom, trapezium-shaped aluminum profiles made of high-strength steel
- All functions are available from one control panel
- Electric-proportional controls with intuitive operator guidance
- Robust, lockable control panel with integrated operation and display function
- Self-levelling platform with fully-hydraulic levelling system
- Corner-mounted, 180° turnable basket for extra flexibility
- Boom rotation via high-performance slew ring, worm gear and hydraulic motor

## POWER

- Deutz-Power Dieselmotor (115 kW/157 hp)
- Start-Stop switch of combustion engine in the basket

## PRODUCTIVITY, SAFETY, QUALITY

- 230 V (EU) power outlet in the basket
- Ergonomically shaped basket with eyelets for safety belts and tool tray
- High-quality paint in RAL 3020 (red)
- Battery powered emergency lowering
- Cables and hoses are safely routed through the boom structure
- Biodegradable hydraulic oil
- Lock valves - hydraulic return valves directly on all hydraulic cylinders
- Relief valves protecting the hydraulic system from too high pressures
- Protective covers for oil-tank, emergency controls and connecting cables and hoses
- Hour meter
- Additional second display in the cabin
- Fuzzy IV control technology

## OPTIONS

- Air-conditioning
- MOT approval Germany
- Hydraulic pendular axle
- Prep. For hydraulic winch W135
- Partial flow filter
- Custom paintwork, one colour, according to RAL scheme (except metallic coatings, signal- or special colors)
- Custom paintwork, two colours, according to RAL scheme (except metallic coatings, signal- or special colors)

## ACCESSORIES

- Safety harness
- Automatic boom function cut off by a monitoring system of the access stair locking system
- Coming Home & Memory Function - A given point on the working diagramm can be saved and returned the boom back at the push of a button
- Lifting device (300 kg load capacity)
- Additional toolbox for more storage

## CONTACT

**Teupen Maschinenbau GmbH**  
Marie-Curie-Str. 13  
48599 Gronau  
Germany

phone +49 (0) 2562 8161-0  
fax +49 (0) 2562 8161-888  
mail@teupen.com

## STANDARDS COMPLIANCE

2006/42/EC-Machinery directive  
(Harmonised standard EN280:2013  
2000/14/EC (Noise emission directive – outdoor)

Version 2016-B. Product specifications are subject to change without notice or obligation. Photographs and drawings in this document are for illustrative purposes only. Refer to the appropriate Operator's Manual for instructions on the proper use of this equipment. Failure to follow the appropriate Operator's Manual when using our equipment or to otherwise act irresponsibly may result in serious injury or death. The only warranty applicable to our equipment is the standard written warranty applicable to the particular product and sale and we make no other warranty, expressed or implied. Products and services listed may be trademarks, service marks or trade-names of Teupen Maschinenbau GmbH and/or its subsidiaries in the U.S.A. and many other countries. "Teupen", "Access redefined" and "LEO Series" are registered Trademarks of Teupen GmbH in the United States of America and many other countries. © 2016 Teupen Maschinenbau GmbH.

